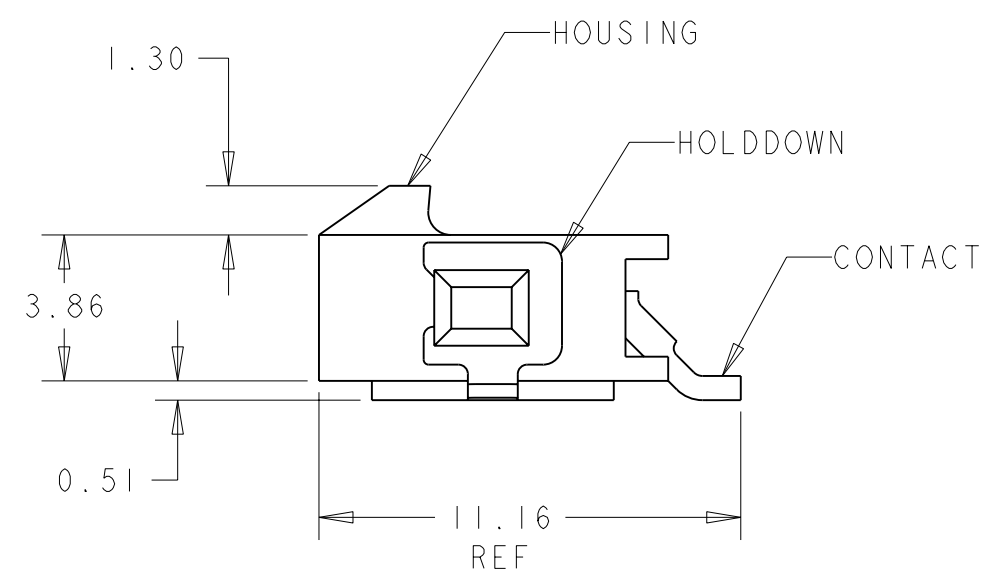
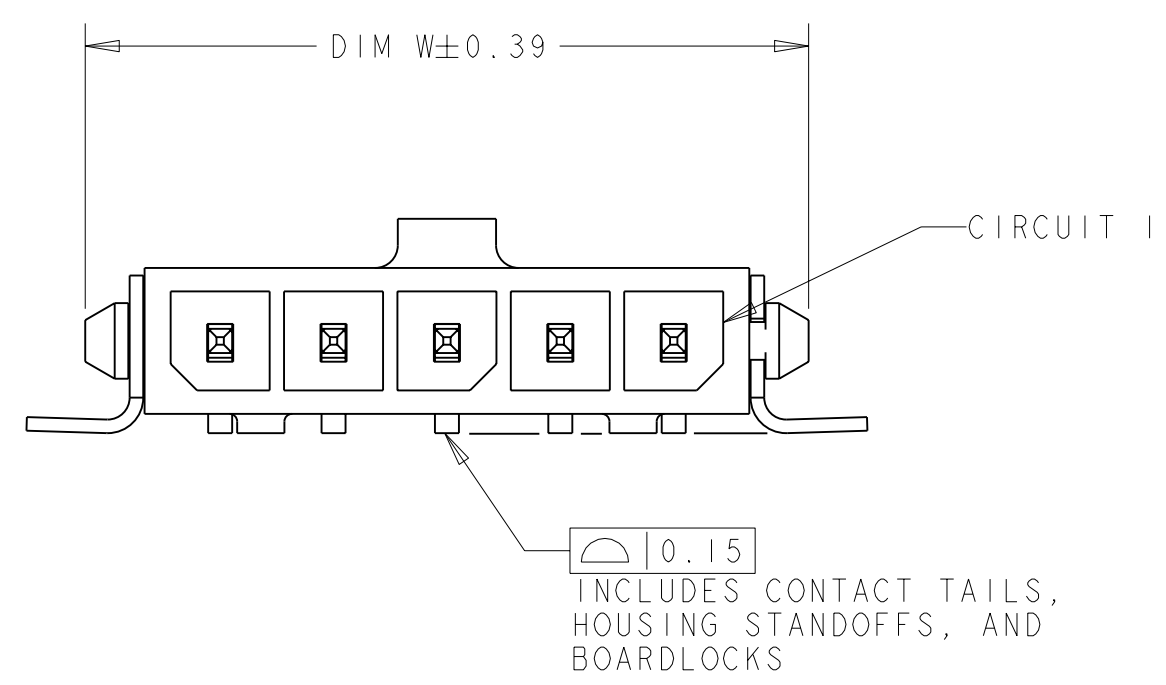
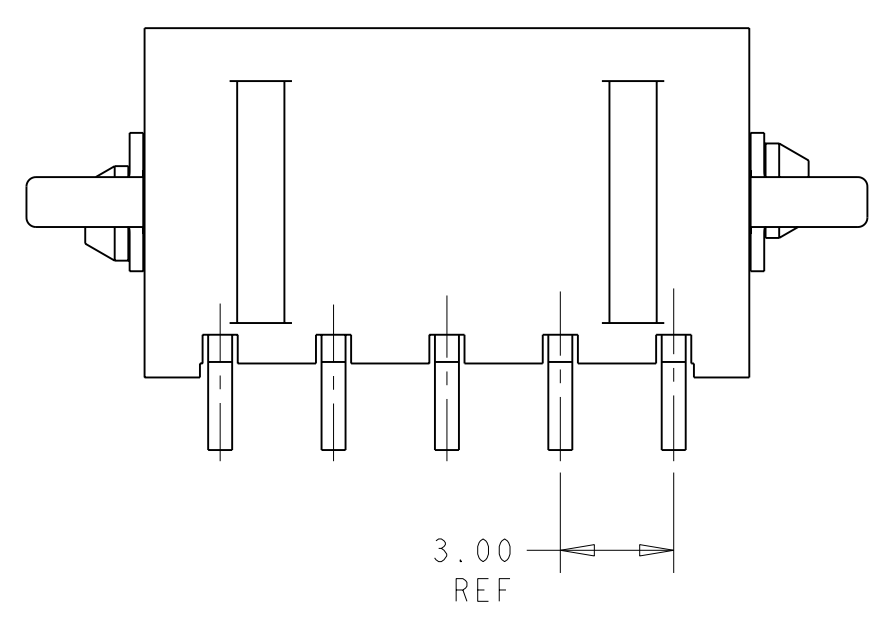


THIS DRAWING IS UNPUBLISHED. RELEASED FOR PUBLICATION .19
 © COPYRIGHT 19 BY AMP INCORPORATED. ALL RIGHTS RESERVED.

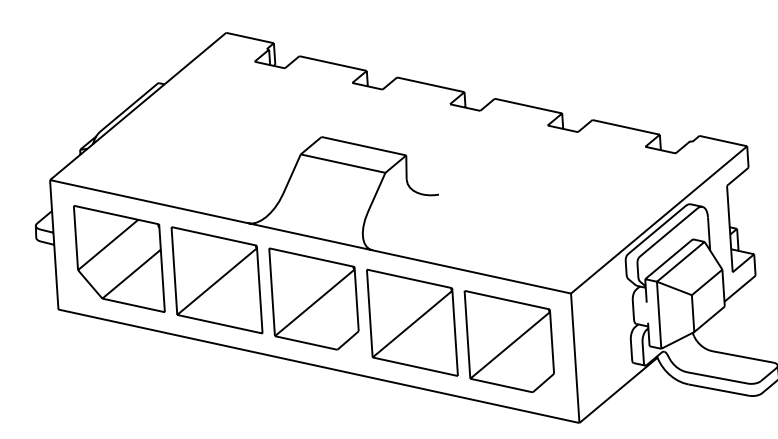
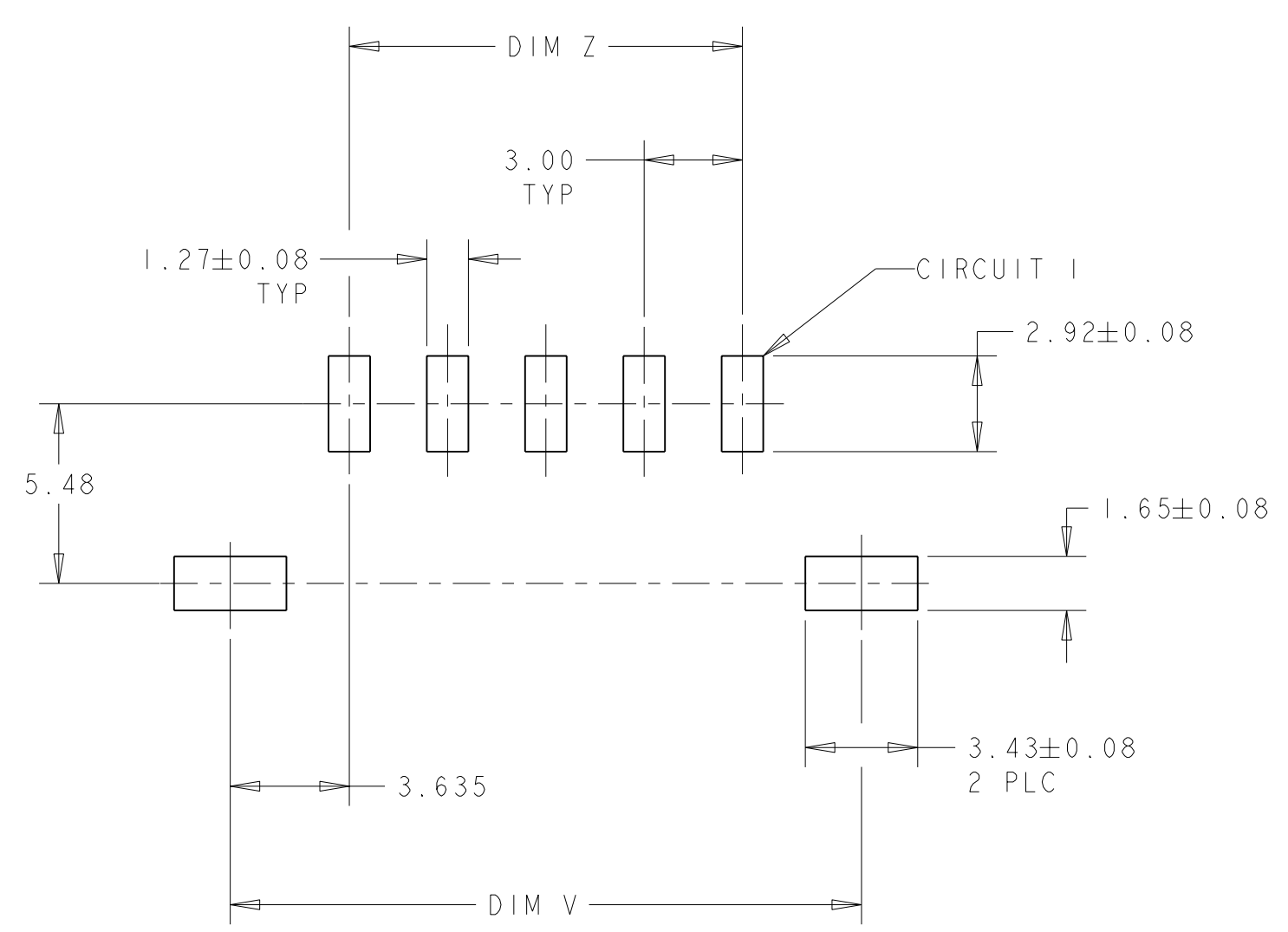
REVISIONS					
P	LTR	DESCRIPTION	DATE	DWN	APVD
B		REVISED PER 0G3B-0206-05	10-MAY-05	KW	CJ



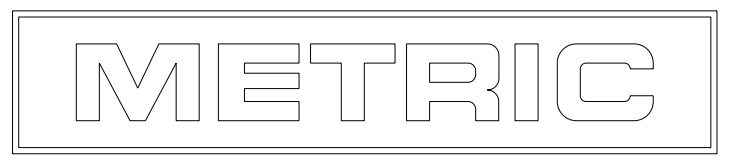
- 1 MATERIAL: CONTACTS - BRASS
HOUSING - UL 94V-0 RATED HIGH TEMP NYLON, COLOR BLACK.
HOLDDOWNS: - PHOSPHOR BRONZE.
- 2 PLATING: CONTACTS - 0.76µm MINIMUM GOLD ON MATING END, 2.54µm MINIMUM TIN LEAD ON SOLDER TAILS, BOTH OVER 1.27µm MINIMUM NICKEL.
HOLDDOWNS: 2.54µm MINIMUM MATTE TIN OVER 1.27µm MINIMUM NICKEL.
- 4 RECOMMENDED PC BOARD THICKNESS OF 1.57.
- 5 PLATING: CONTACTS - 0.76µm MINIMUM GOLD ON MATING END, 2.54µm MINIMUM MATTE TIN ON SOLDER TAILS, BOTH OVER 1.27µm MINIMUM NICKEL.
HOLDDOWNS: 2.54µm MINIMUM MATTE TIN OVER 1.27µm MINIMUM NICKEL.



5	33.00	40.41	40.00	12	3-1445100-2
5	30.00	37.41	37.00	11	3-1445100-1
5	27.00	34.41	34.00	10	3-1445100-0
5	24.00	31.41	31.00	9	2-1445100-9
5	21.00	28.41	28.00	8	2-1445100-8
5	18.00	25.41	25.00	7	2-1445100-7
5	15.00	22.41	22.00	6	2-1445100-6
5	12.00	19.41	19.00	5	2-1445100-5
5	9.00	16.41	16.00	4	2-1445100-4
5	6.00	13.41	13.00	3	2-1445100-3
5	3.00	10.41	10.00	2	2-1445100-2
2	33.00	40.41	40.00	12	1-1445100-2
2	30.00	37.41	37.00	11	1-1445100-1
2	27.00	34.41	34.00	10	1-1445100-0
2	24.00	31.27	31.00	9	1445100-9
2	21.00	28.41	28.00	8	1445100-8
2	18.00	25.41	25.00	7	1445100-7
2	15.00	22.41	22.00	6	1445100-6
2	12.00	19.41	19.00	5	1445100-5
2	9.00	16.41	16.00	4	1445100-4
2	6.00	13.41	13.00	3	1445100-3
2	3.00	10.41	10.00	2	1445100-2
FINISH	DIM Z	DIM V	DIM W	NO. OF POSN	PART NUMBER



PCB LAYOUT COMPONENT SIDE 4



THIS DRAWING IS A CONTROLLED DOCUMENT FOR AMP INCORPORATED. IT IS SUBJECT TO CHANGE AND THE CONTROLLING ENGINEERING ORGANIZATION SHOULD BE CONTACTED FOR THE LATEST REVISION.

DWN J. ROOT 09OCT2000
 CHR K. WHITAKER 17-APR-2001
 APVD C. JONES 17-APR-2001

AMP Tyco Electronics
 Harrisburg, PA 17105-3608

NAME RIGHT ANGLE SURFACE MNT HEADER ASSY, 0.76 MIC GOLD CONTACTS, W/SURF MOUNT HOLDDOWNS, SGL ROW, MICRO MATE-N-LOK™

PRODUCT SPEC -
 APPLICATION SPEC -
 SIZE A2 CAGE CODE 00779 DRAWING NO. C=1445100

MATERIAL - FINISH 1 SEE TABLE WEIGHT -
 CUSTOMER DRAWING SCALE 5:1 SHEET 1 OF 1 REV B